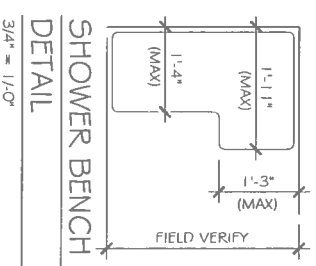


TOILET ACCESSORY LEGEND

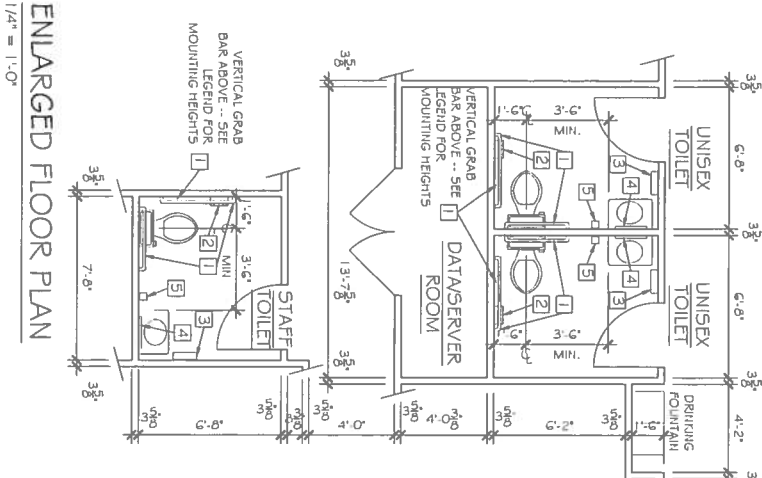
- 1 GRAB BARS
- 2 BOBRICK (STAINLESS STEEL) STRAIGHT GRAB BARS WITH 1/2" FLANGE -- TOGGLE BOLT TO WALL
- 3 TOILET TISSUE DISPENSER (BOBRICK B-686 DAL. TOILET PAPER DISPENSER)
- 4 PAPER TOWEL DISPENSER/WASTE RECEPTACLE (BOBRICK B-4 39/44 CONURA RECESSED PAPER TOWEL/WASTE RECEPTACLE)
- 5 MIRROR (BOBRICK B-290-1 036 1 036 G FRAMED MIRROR)
- 6 SOAP DISPENSER (TECHNICAL CONCEPTS AUTOFOAM 7504 1 1 BLACK WITH CHROME)

NOTE: SUPPLY AND DRAIN PIPES UNDER LAVATORY SHALL BE INSULATED TO PROTECT AGAINST CONTACT. THERE SHALL BE NO SHARP OR ABRASIVE SURFACES UNDER THE LAVATORY. PER ICCANS1 117.1-2009 SECTION 506.6

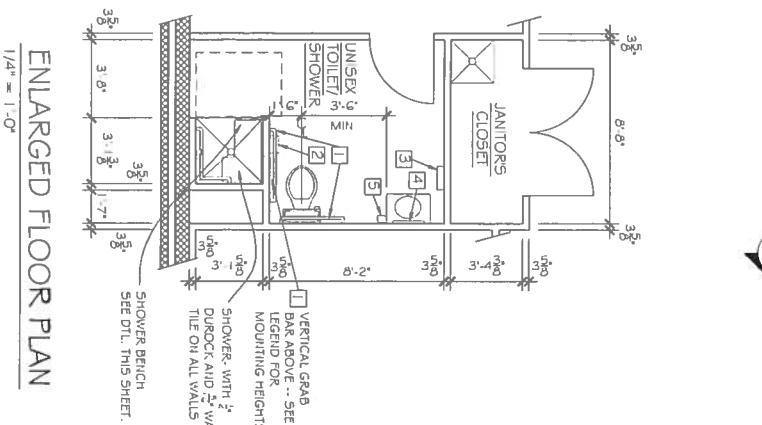
NOTE: TOILET ACCESSORIES AND FIXTURES SHALL BE INSTALLED PER THE 2012 IBC AND ICCANS1 117.1-2009.



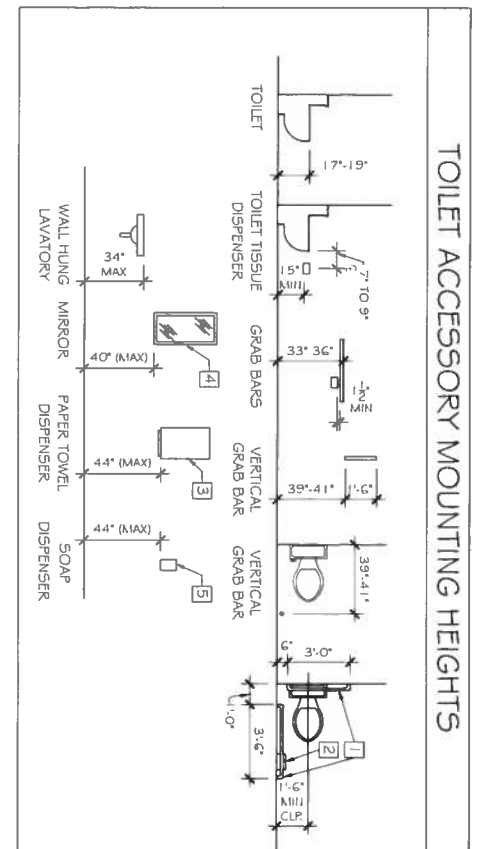
SHOWER BENCH DETAIL
3/4" = 1'-0"



ENLARGED FLOOR PLAN
1/4" = 1'-0"

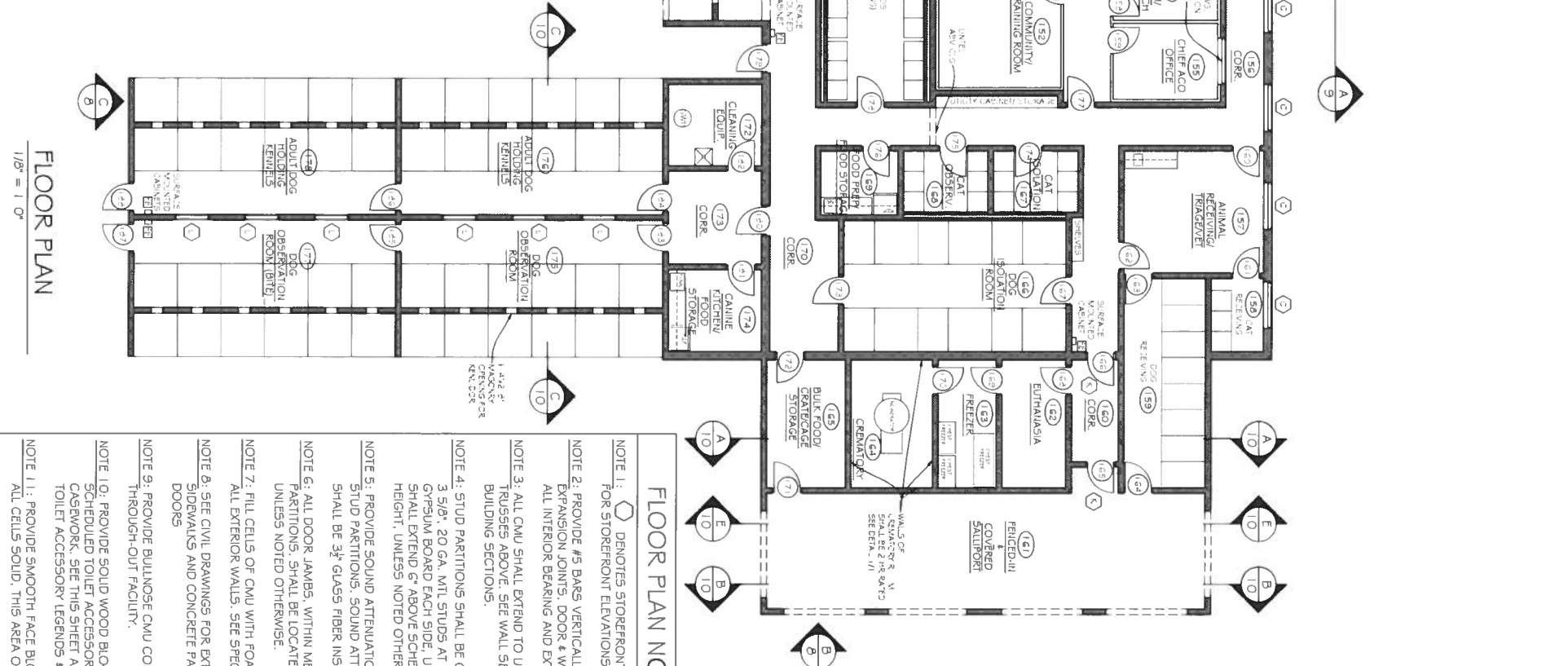


ENLARGED FLOOR PLAN
1/4" = 1'-0"



TOILET ACCESSORY MOUNTING HEIGHTS

CONCRETE PAD NOTE
PROVIDE 6"x13"x3" CONCRETE PAD FOR GENERATOR. SEE SITE PLAN FOR LOCATION. ALL CONCRETE PADS FOR MECHANICAL WORK SHALL BE 4" THICK. ALL CONCRETE PADS FOR ELECTRICAL WORK SHALL BE 2" THICK. ALL CONCRETE PADS SHALL HAVE A MINIMUM AIR ENTRAINMENT OF 6% ± 1.5%.



FLOOR PLAN NOTES

- NOTE 1: ○ DENOTES STOREFRONT. SEE SHEET 17 FOR STOREFRONT ELEVATIONS.
- NOTE 2: PROVIDE #5 BARS VERTICALLY AT ALL CORNERS, EXPANSION JOINTS, DOOR & WINDOW JAMBS IN ALL INTERIOR BARRING AND EXTERIOR WALLS.
- NOTE 3: ALL CMU SHALL EXTEND TO UNDERSIDE OF ROOF TRUSSES ABOVE. SEE WALL SECTION BY 3 AND BUILDING SECTIONS.
- NOTE 4: STUD PARTITIONS SHALL BE CONSTRUCTED WITH 3 5/8" 20 GA. MTL STUDS AT 24" O.C. WITH 5/8" GYPSUM BOARD EACH SIDE. U.N.O. PARTITIONS SHALL EXTEND 6" ABOVE SCHEDULED CEILING HEIGHT. UNLESS NOTED OTHERWISE.
- NOTE 5: PROVIDE SOUND ATTENUATION BLANKETS IN ALL STUD PARTITIONS. SOUND ATTENUATION BLANKETS SHALL BE 3/4" GLASS FIBER INSULATION.
- NOTE 6: ALL DOOR JAMBS, WITHIN METAL STUD PARTITIONS, SHALL BE LOCATED MIN. 6" OFF WALL, UNLESS NOTED OTHERWISE.
- NOTE 7: FILL CELLS OF CMU WITH FOAM INSULATION AT ALL EXTERIOR WALLS. SEE SPECS SECTION 07200.
- NOTE 8: SEE CIVIL DRAWINGS FOR EXTENT OF CONCRETE SIDEWALKS AND CONCRETE PADS AT EXTERIOR DOORS.
- NOTE 9: PROVIDE BULLNOSE CMU CORNERS THROUGH-OUT FACILITY.
- NOTE 10: PROVIDE SOLID WOOD BLOCKING IN WALLS FOR SCHEDULED TOILET ACCESSORIES AND CASWORK. SEE THIS SHEET AND SHEET 11 FOR TOILET ACCESSORY LEGENDS & CASWORK ELEVATIONS.
- NOTE 11: PROVIDE SMOOTH FACE BLOCK AND GROUT ALL CELLS SOLID. THIS AREA ONLY.